

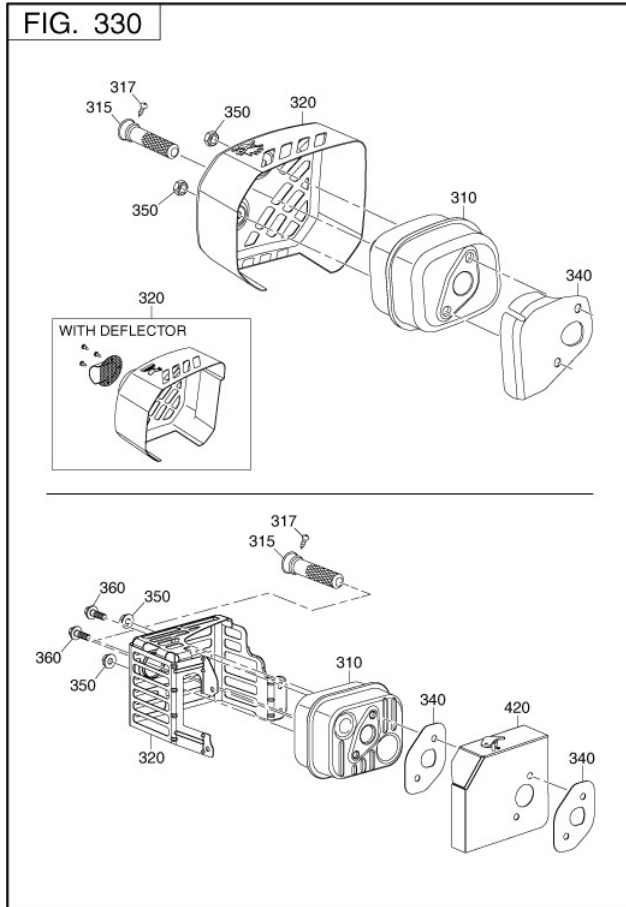
※RED: While supplies last ※YELLOW: Make-to-order Updated:2016/02/26

PDF English

EA190 SPEC.No

3 INTAKE EXHAUST

EA190V75020



EA190V

21F033005W00

REF.	PART NUMBER	PART NAME	CODE NO.	QTY	REMARKS	INTER
310	18100Z02061000	MUFFLER	-	1		
315	18250Z02011000	SPARK ARRESTER	-	1		
317	90107359550	TAPPING SCREW	-	1		
320	18013Z02011000	MUFFLER COVER	-	1		
340	18001Z02021000	MUFFLER GASKET	-	1		
350	90305080031	NUT	-	2		
360	900070614A1	BOLT	-	2		

FIG 110 200 300 315 330 400 500 600 642 700 900